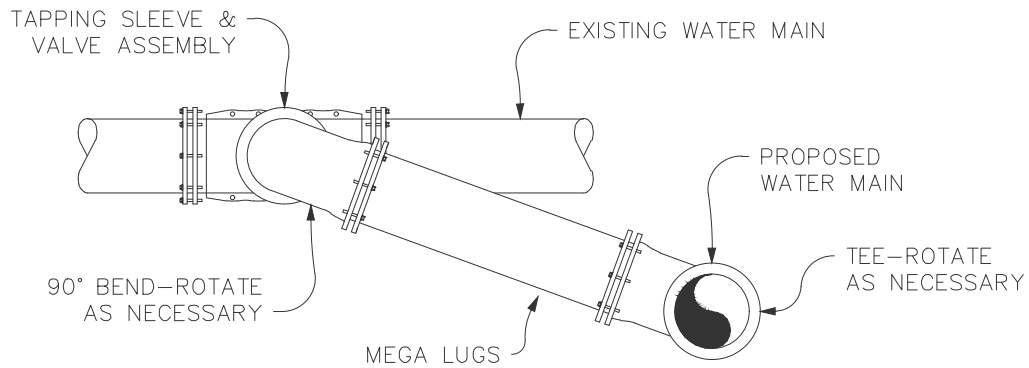


PLAN



SECTION

NOTES:

1. WRAP ALL BELOW GROUND ASSEMBLIES IN 8MM THICK POLYETHYLENE ACCORDING TO AWWA C105.
2. RING CONNECTIONS ARE ALLOWED ONLY WHEN APPROVED BY CITY ENGINEER.
3. MEGA LUGS SHALL BE REQUIRED ON ALL FITTINGS.

TYPICAL RING CONNECTION

SCALE: N.T.S.



WATER CONSTRUCTION DETAILS
TYPICAL RING CONNECTION

REVISION DATE:
2/1/2024

SHEET: W-06