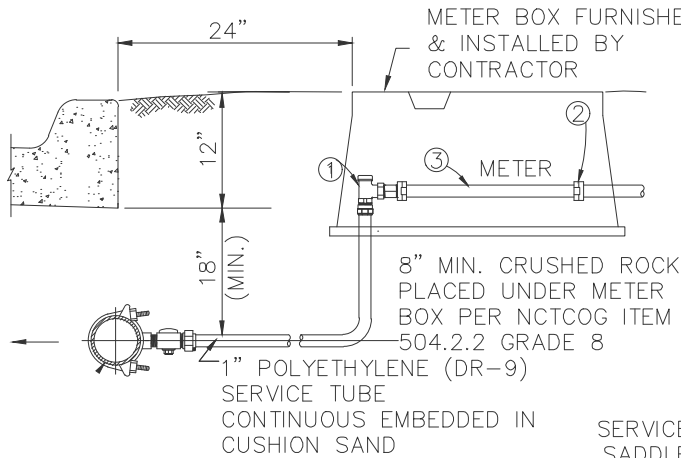


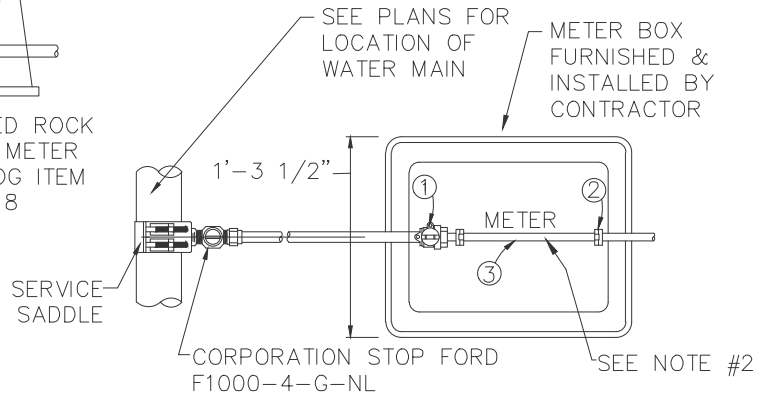
ITEM NO.	QTY	SIZE	DESCRIPTION	PART NUMBER		
				RDMAC	FORD	MUELLER
1.	1	1"	BALL ANGLE SERVICE VALVE COMPRESSION COPPER X F.I.P.	-	BA41-444WG	B-24274-N
2.	2	$\frac{3}{4}$ "X8- $\frac{1}{2}$ "	STRAIGHT METER COUPLING	-	C38-44-1-5 -NL	H-14217-N
3.	2	1"X7- $\frac{1}{2}$ "	METER SPACER NIPPLE (SCH 80 PVC) SEE NOTE #2	-	-	-
4.	1	1"	IRON SADDLE WITH DOUBLE WIDE STAINLESS STEEL BAND	202S	C202-CC4	DR2A-3235

* METER BOXES FOR SINGLE WATER SERVICES SHALL BE DFW PLASTICS #DFW37C-12-AF1F DEEP



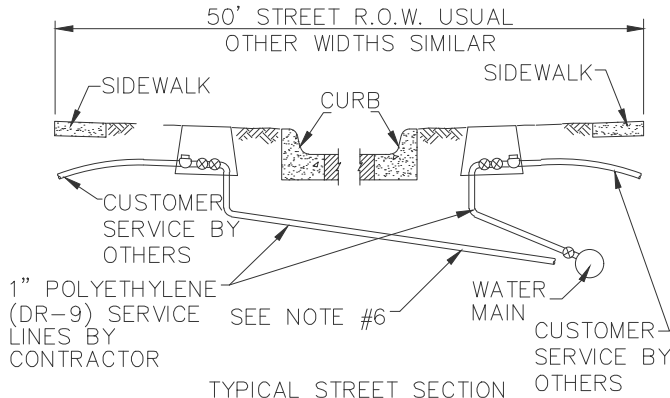
SINGLE WATER SERVICE SECTION

NTS



SINGLE WATER SERVICE PLAN

NTS



TYPICAL STREET SECTION

NTS

NOTES:

1. ALL BRASS PARTS SHALL BE "LEAD-FREE" AS REQUIRED BY E.P.A. REGULATIONS.
2. CONTRACTOR SHALL PERFORATE METER SPACER NIPPLES AS DIRECTED BY INSPECTOR.
3. LOCATION OF WATER MAIN IN NEW DEVELOPMENTS IS 4.5 FEET BEHIND THE CURB
4. RECESSED AMR HOLE IN METER BOX SHALL BE PLACED NEAREST THE BACK OF CURB.
5. SERVICES ALONG ROADWAYS WITHOUT CURB AND GUTTER SHALL BE LOCATED A MINIMUM OF 18" BELOW THE DITCH FLOWLINE.
6. SERVICE LINES CROSSING UNDER THE ROADWAY SHALL BE LOCATED A MINIMUM OF 30" BELOW GRADE AND ENCASED WITH 2" SCHEDULED 40 PVC PIPE.
7. WATER SERVICES SHALL NOT BE CONNECTED TO FIRE HYDRANT LEADS.
8. METERS SHALL NOT BE INSTALLED IN EXISTING OR PROPOSED SIDEWALKS OR WITHIN 5' OF DRIVEWAYS.
9. METERS AND TAPS SHALL BE LOCATED ON SAME SIDE OF MAIN.



WATER CONSTRUCTION DETAILS
SINGLE WATER SERVICE ASSEMBLY

REVISION DATE:
2/1/2024

SHEET: W-20