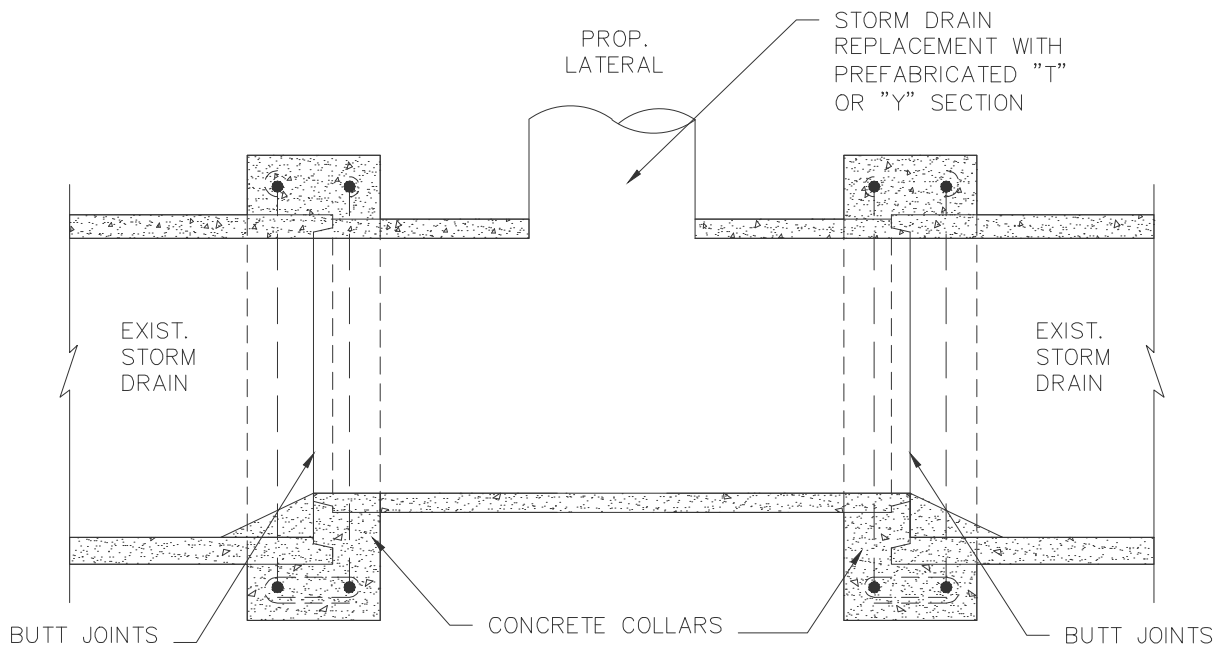
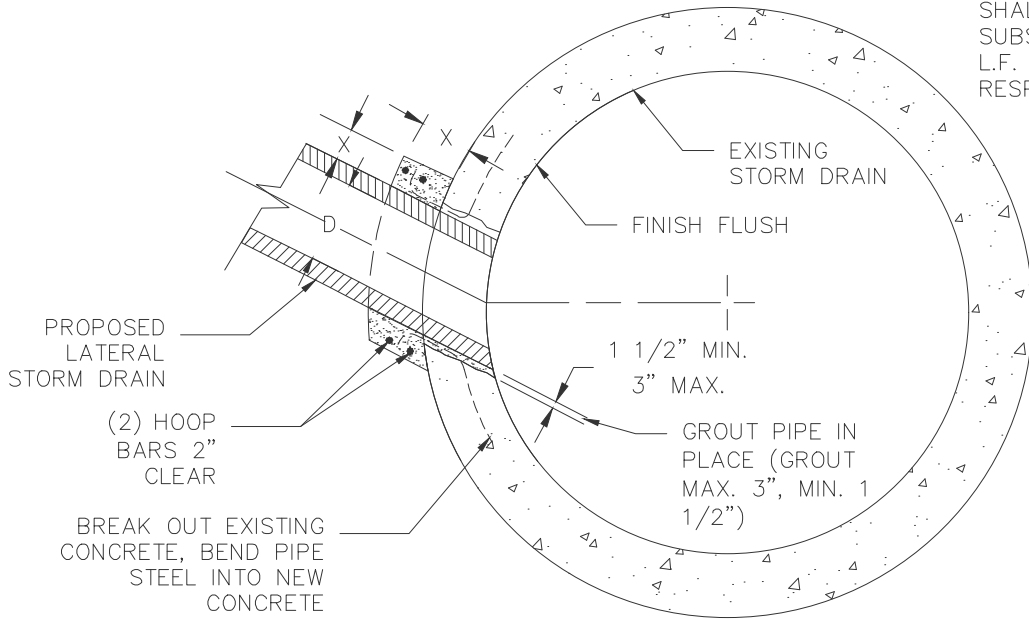


D	X	HOOP BARS
18" OR SMALLER	6"	#3
LARGER THAN 18"	9"	#4

NOTE: STORM DRAIN TAP SHALL BE CONSIDERED SUBSIDIARY TO COST BID PER L.F. OF LATERAL DRAIN PIPE RESPECTIVELY.



NOTE: PREFABRICATED FITTINGS SHALL BE USED ON ALL PROPOSED STORM DRAINS.

PREFERRED CONNECTION



STORM DRAIN CONSTRUCTION DETAILS
STORM DRAIN TAP DETAIL

REVISION DATE:
2/1/2024

SHEET: D-09