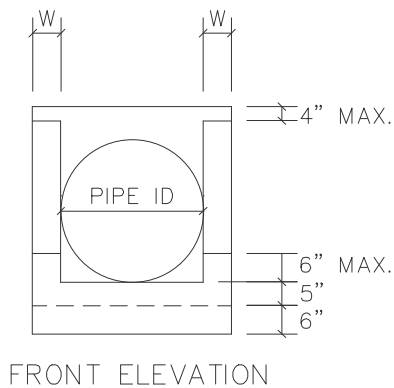
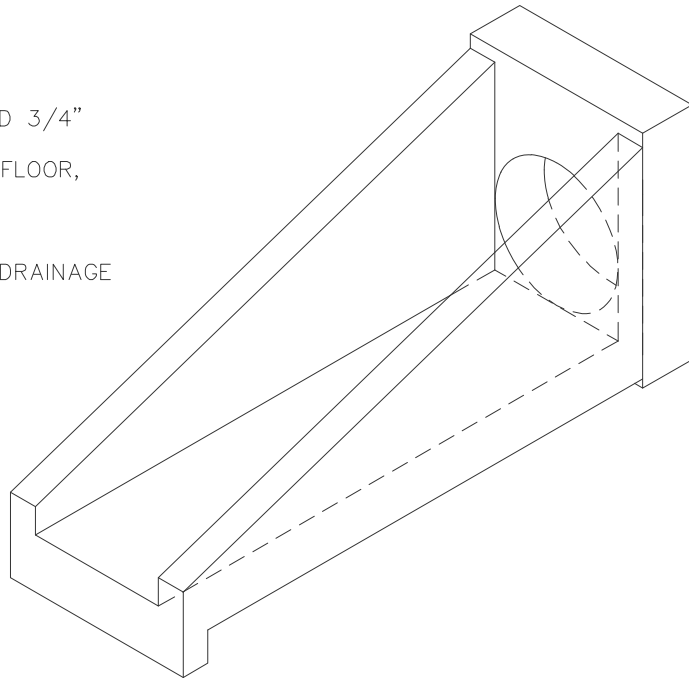


NOTES:

1. 4000 PSI CONCRETE
2. #4 GRADE 60 REBAR 9" O.C.E.W.
3. ALL EXPOSED CORNERS ARE CHAMFERED 3/4"
4. SWIFT LIFT ANCHORS, LOCATED IN THE FLOOR, SHALL BE USED FOR HANDLING.
5. GALVANIZED STEEL PIPE RUNNERS ARE AVAILABLE FOR CROSS AND PARALLEL DRAINAGE APPLICATIONS.



PIPE ID	PIPE OD	SLOPE	D	W
18"	23"	4:1	24"	5"
24"	30"	4:1	31"	5"
30"	37"	4:1	38"	6"
36"	44"	4:1	45-1/2"	6"
42"	51"	4:1	52-3/4"	8"
48"	58"	4:1	60"	8"



STORM DRAIN CONSTRUCTION DETAILS
CULVERT SAFETY END TREATMENTS

REVISION DATE:
2/1/2024

SHEET: D-11