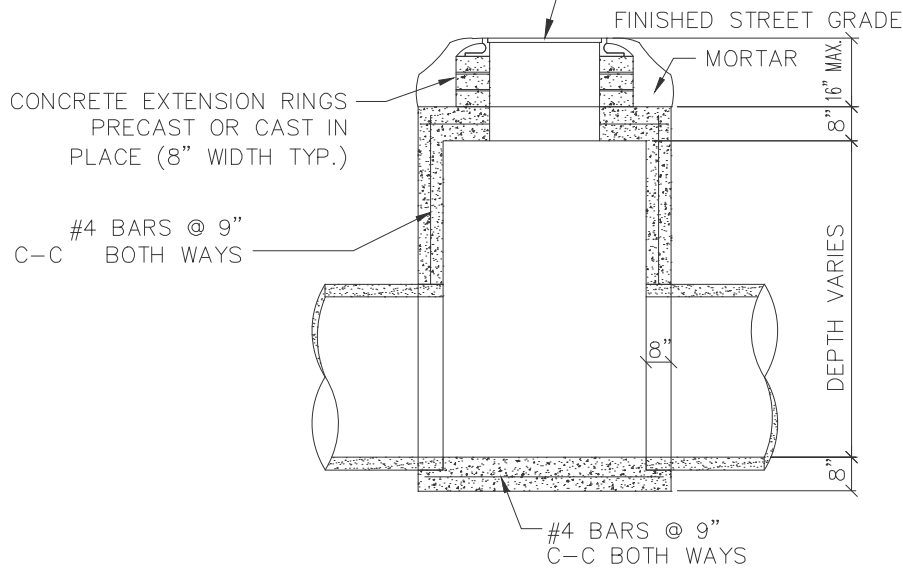


VAULT RING AND COVER SHALL BE PAMREX 24" (CDOA60EHSSE) OR APPROVED EQUAL. RING TO BE ATTACHED TO CONE WITH THREE 3/4" DIA. STAINLESS STEEL ALL THREAD BOLTS. BOLTS TO BE SECURED IN PLACE WITH EPOXY CONCRETE. MARKED "STORM DRAIN".



SECTION A-A

NOTES:

1. MATERIAL AND WORKMANSHIP SHALL BE IN ACCORDANCE WITH NCTCOG ITEM 702.9 FOR CLASS "C" CONCRETE AND ITEM 303.2.9 FOR STEEL REINFORCEMENT, GRADE 60.
2. LARGER JUNCTION BOXES SHALL BE DESIGNED BY THE ENGINEER AND SUBMITTED TO THE CITY ENGINEER FOR REVIEW.
3. ATTACH 24" LONG, 3/8" STAINLESS STEEL CHAIN WITH NO SWIVELS TO VAULT LID.
4. SLOPE VAULT FLOOR WITH FROM SIDE AND CORNERS WITH NON-SHRINK GROUT TO DRAIN.



STORM DRAIN CONSTRUCTION DETAILS
STORM DRAIN VAULT

REVISION DATE:
2/1/2024

SHEET: D-14