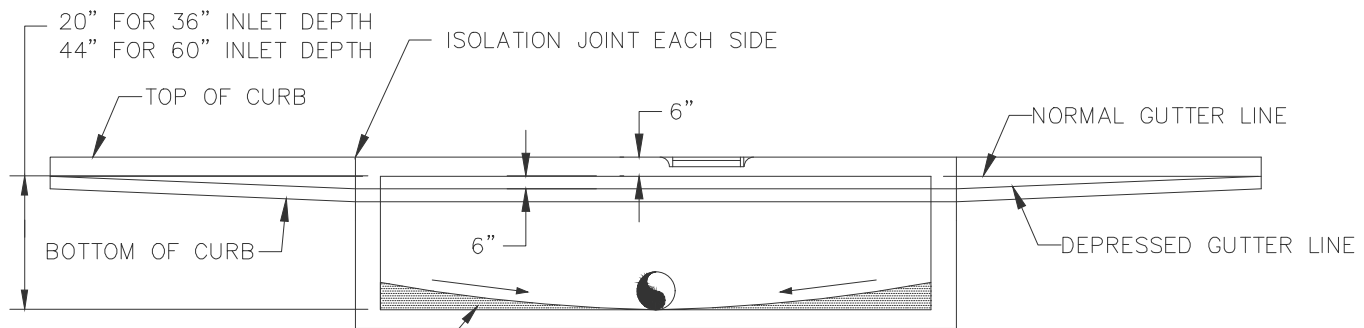


CAST IRON MANHOLE FRAME & COVER WITH CHAIN, BASS AND HAYS PATTERN 103 OR APPROVED EQUAL, TO BE PLACED OVER OUTLET END OF CURB INLET. CHAIN SHALL BE 24" LONG, 3/8" STAINLESS STEEL WITH NO SWIVELS.



CONCRETE FILL, WARP TO SUIT CONDITIONS. TROWEL TO A SMOOTH HARD SURFACE.

NOTE:
1. REFER TO INLET GENERAL NOTES



STORM DRAIN CONSTRUCTION DETAILS
STORM DRAIN RECESSED CURB INLET

REVISION DATE:
2/1/2024

SHEET: D-20