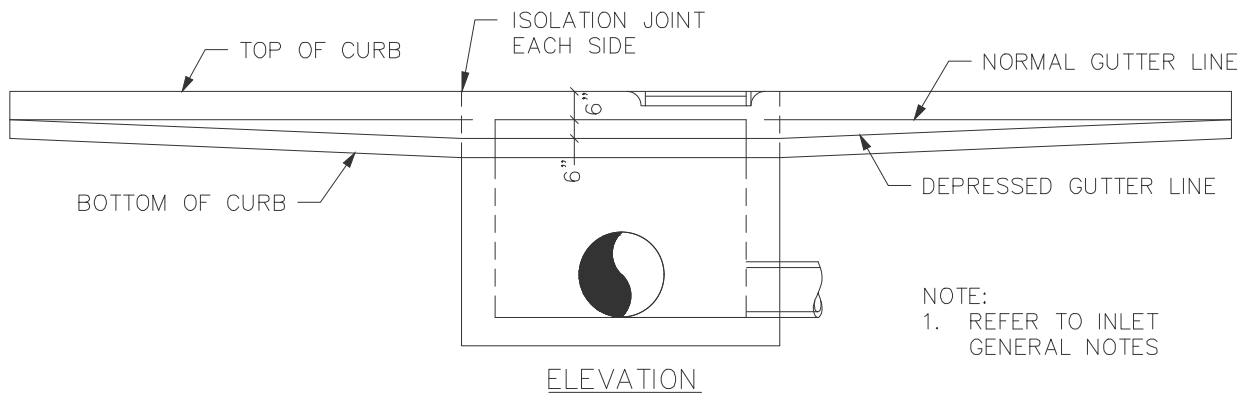


SEE SHEET D-22 FOR SECTION C-C



STORM DRAIN CONSTRUCTION DETAILS
STORM DRAIN RECESSED CURB INLET

REVISION DATE:
2/1/2024

SHEET: D-21