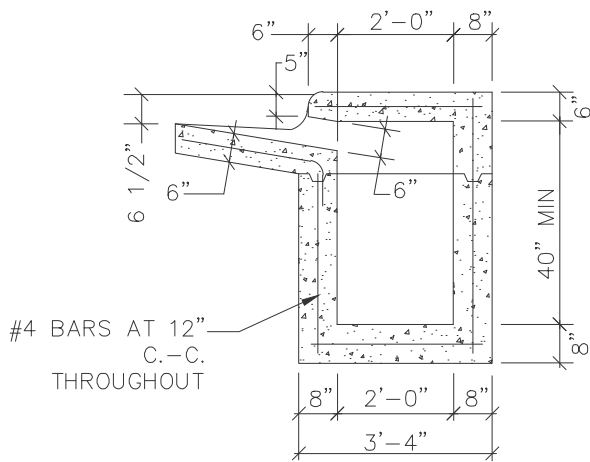
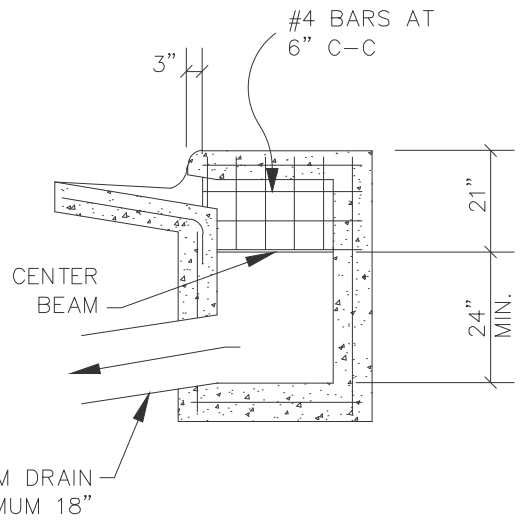


PLAN VIEW



SECTION C-C



SECTION A-A

NOTE
SEE SHEET D-23 FOR INLET
GENERAL NOTES

CENTER BEAM DETAIL
FOR INLETS > 10 FT



STORM DRAIN CONSTRUCTION DETAILS
STORM DRAIN CURB INLET

REVISION DATE:
2/1/2024

SHEET: D-22