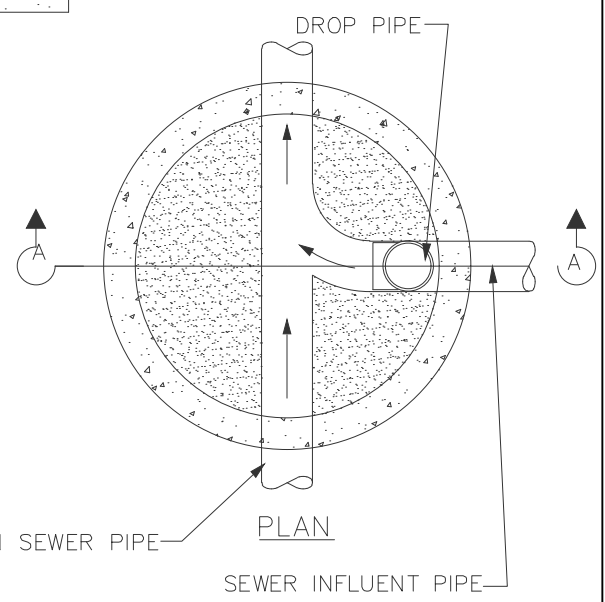


ELEVATION A



- NOTES:
1. P.V.C. PIPE WITHIN MANHOLE SHALL BE SDR-35.
  2. MANHOLE MAY BE EITHER PRECAST OR MONOLITHIC TYPE.
  3. FLOWLINE OF DROP PIPE TO BE SET ON INVERT APPROXIMATELY THE ELEVATION OF GRAVITY MAIN TOP OF PIPE.
  4. ALL MANHOLE INVERTS SHALL BE FULL DEPTH OF WASTEWATER PIPES. ALL INVERTS SHALL BE FORMED TO CENTER OF MANHOLE AND SHALL PROVIDE SMOOTH FLOW TRANSITIONS
  5. SEE S-01 & S-02 FOR MH REQUIREMENTS



**SEWER SYSTEM CONSTRUCTION DETAILS**  
**DROP SANITARY SEWER MANHOLE**

REVISION DATE:  
2/1/2024

SHEET: S-03