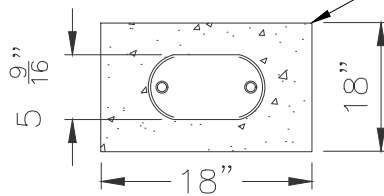
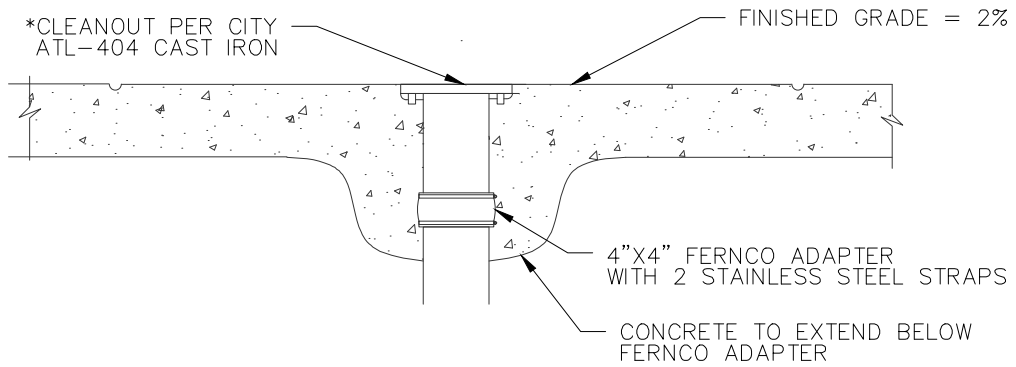


SIDEWALK CLASS "C" CONCRETE 3,600 PSI
INSTALLED BY BUILDER.



CITY SIDE CLEANOUT OUTSIDE OF
SIDEWALK WITH A CONCRETE PAD



SANITARY SEWER
SERVICE SECTION VIEW
(DEVELOPED LOTS)



SEWER SYSTEM CONSTRUCTION DETAILS
CITY SIDE CLEANOUT

REVISION DATE:
2/1/2024

SHEET: S-08