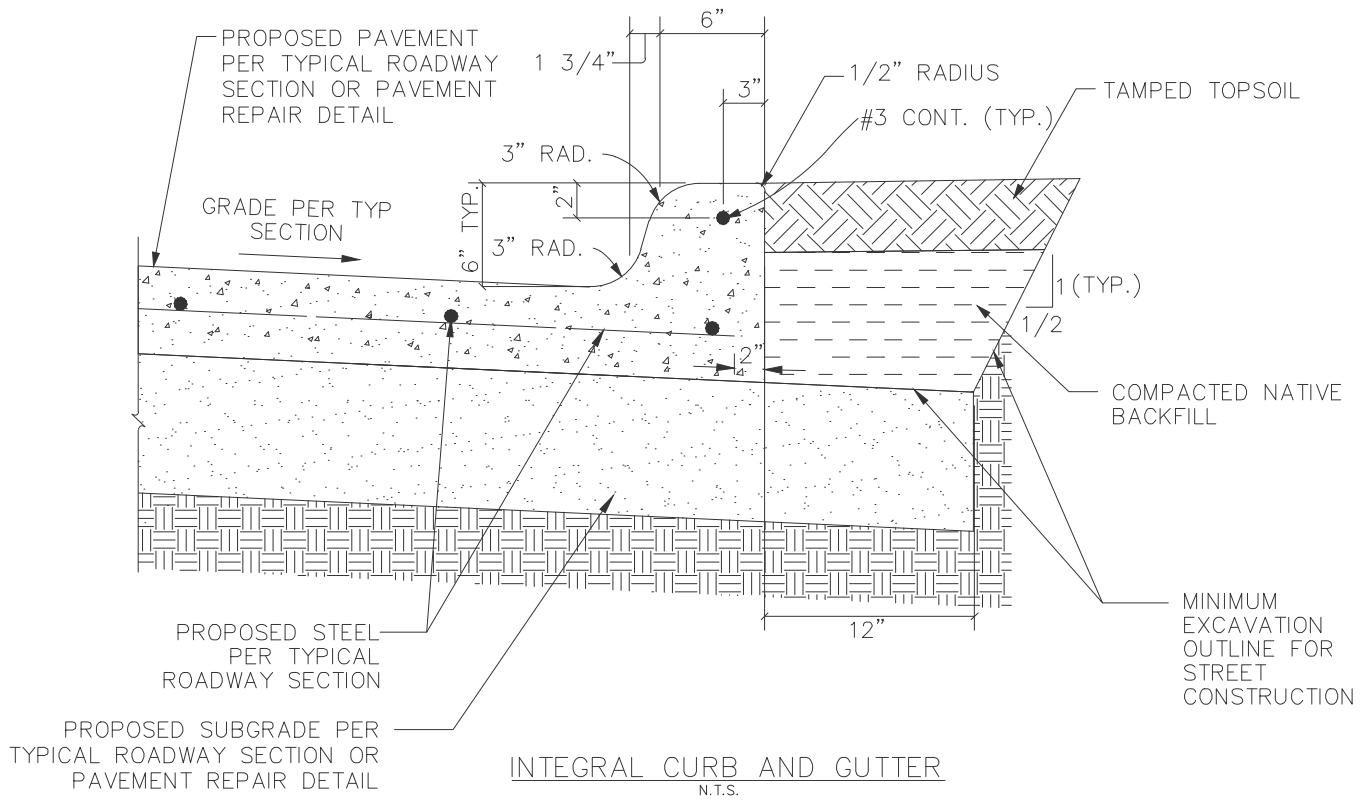


MONOLITHIC CURB AND GUTTER
N.T.S.



INTEGRAL CURB AND GUTTER
N.T.S.



PAVING CONSTRUCTION DETAILS
STANDARD CURB & GUTTER

REVISION DATE:
2/1/2024

SHEET: P-05