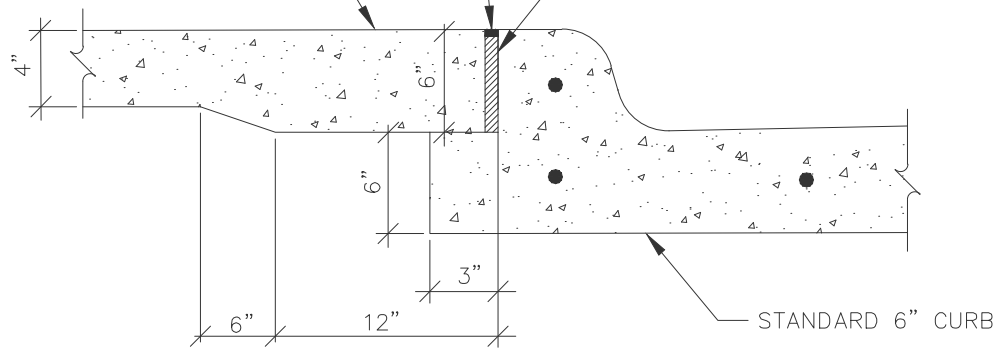


RECESSED 1/2" EXPANSION JOINT MATERIAL AND SEALED WITH SILICONE JOINT SEALANT. NO DOWEL BARS REQUIRED.

4" THICK MEDIAN CONCRETE OR BRICK PAVERS SEPARATE FROM CURB.

RECESSED 1/2" THICK ASPHALT IMPREGNATED COMPRESSIBLE FIBER BOARD



STANDARD 6" CURB



PAVING CONSTRUCTION DETAILS  
MEDIAN CURB FOR MEDIAN PAVEMENT

REVISION DATE:  
2/1/2024

SHEET: P-07