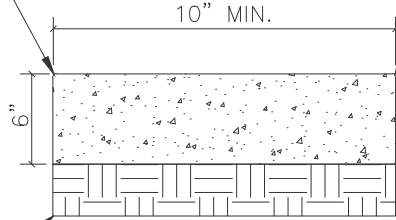


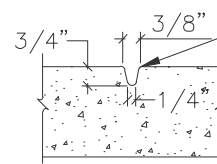
PLAN VIEW
N.T.S.

TOOLED EDGE, 1/2" RADIUS TYP.



SECTION A-A
N.T.S.

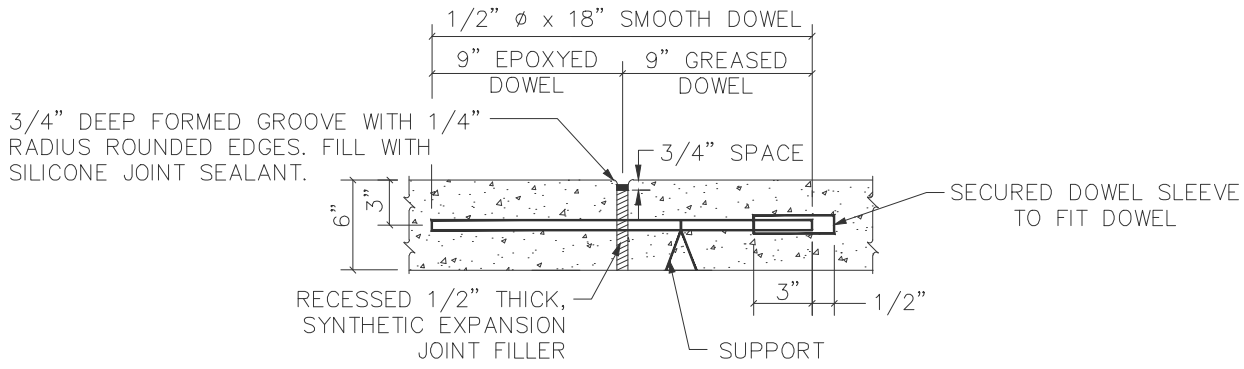
TOOLED EDGE, 1/2" RADIUS TYP.



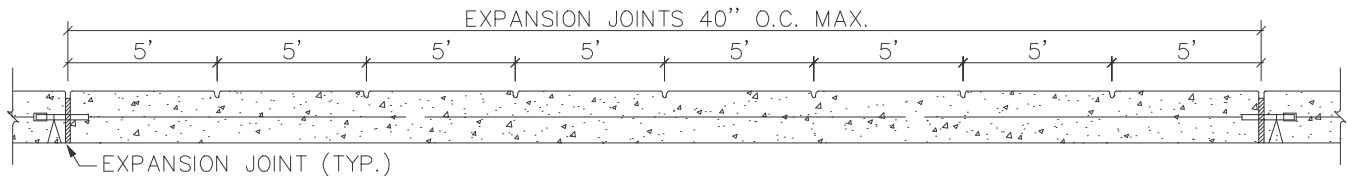
SECTION B-B
N.T.S.

1/8" R TYP.

COMPACTED SUB-GRADE



SECTION C-C
N.T.S.



SECTION D-D
N.T.S.

NOTE:

1. REINFORCEMENT TO BE #4 BARS AT 18" O.C.E.W.
2. DOWEL WITH #4 BARS AT 18" C-C WHEN CONNECTING TO EXISTING SIDEWALKS, DRIVEWAYS, CURBS AND GUTTER - MINIMUM PENETRATION 6".
3. INSTALL 1/2" ϕ X 18" SMOOTH DOWELS @ 18" (GREASE ONE END & CAP) THROUGH EXPANSION JOINTS.
4. CONCRETE FOR SIDEWALKS SHALL BE CLASS C.
5. ALL PROPOSED VALVES SHALL BE PLACED AT LEAST ONE FOOT OFF THE EDGE OF THE SIDEWALK. PROPOSED MANHOLES SHALL HAVE LIDS CENTERED IN THE SIDEWALK OR BLOCK OUT EXISTING VALVES/MANHOLES.
6. SIDEWALK CROSS SLOPE 1/4"/FT (TYPICAL) MAX.
7. EXPANSION JOINTS TO BE RECESSED 3/4" AND FILLED WITH SILICONE SEALANT.



PAVING CONSTRUCTION DETAILS
HIKE AND BIKE TRAIL DETAIL

REVISION DATE:
2/1/2024

SHEET: P-16