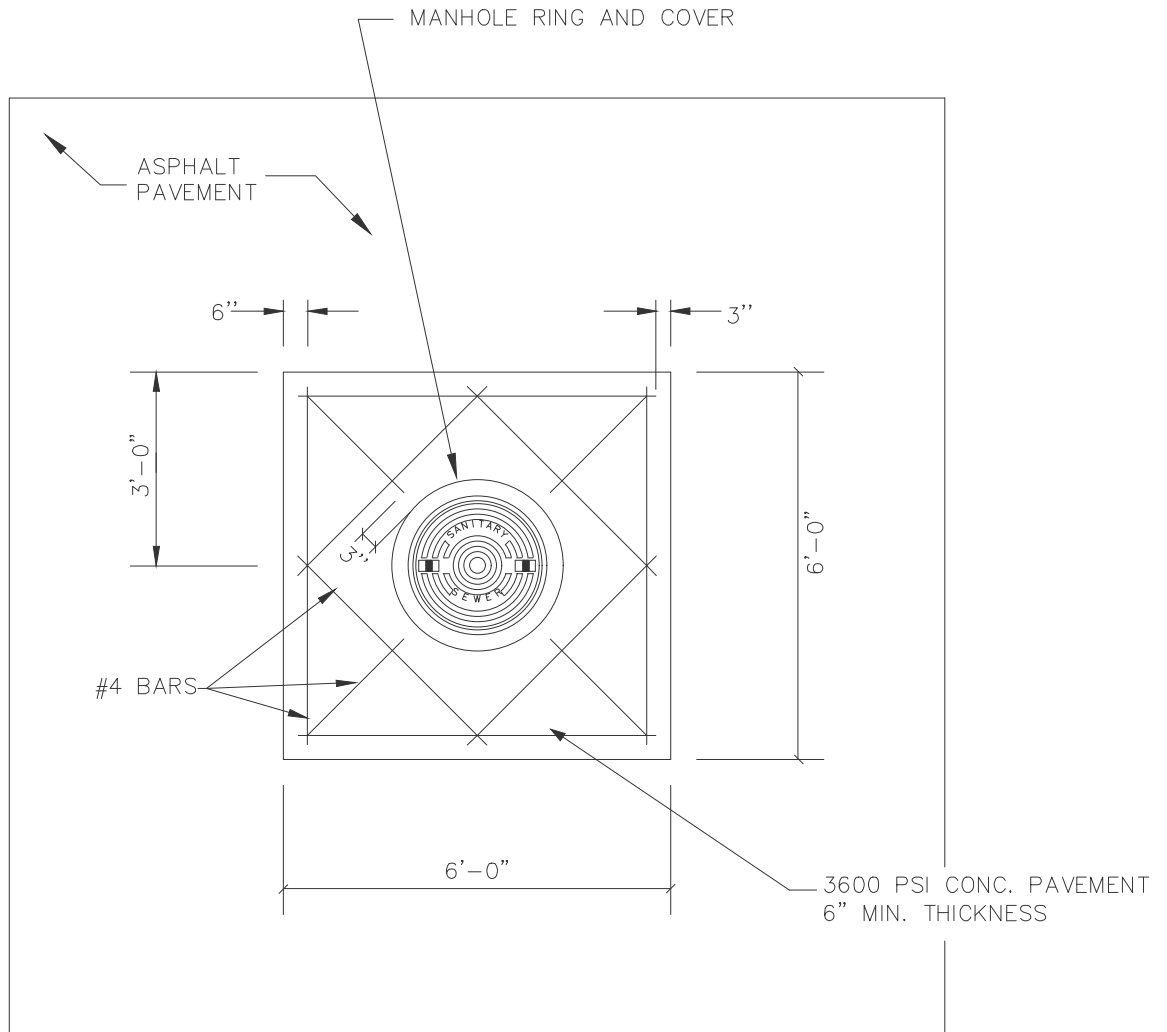
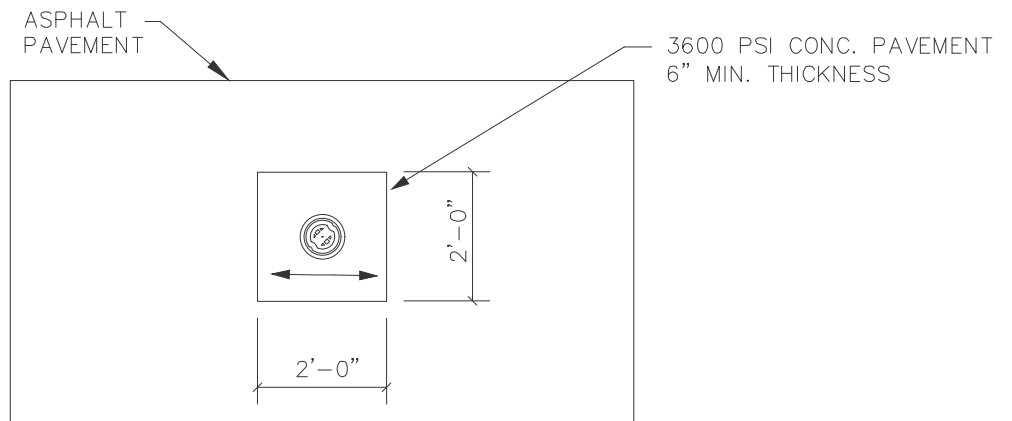


MANHOLE



WATER VALVE OR
SEWER CLEANOUT



NOTES:

1. ALL ASPHALT PAVEMENT SHALL BE REMOVED ALONG NEAT SAW CUT LINES.
2. MANHOLE BOXOUT REQUIRED FOR ALL MANHOLES (STORM AND SANITARY), VALVES, AND CLEANOUTS LOCATED IN THE STREET.



PAVING CONSTRUCTION DETAILS
MANHOLE & WATER VALVE BOXOUT
ASPHALT PAVEMENT

REVISION DATE:
2/1/2024

SHEET: P-18