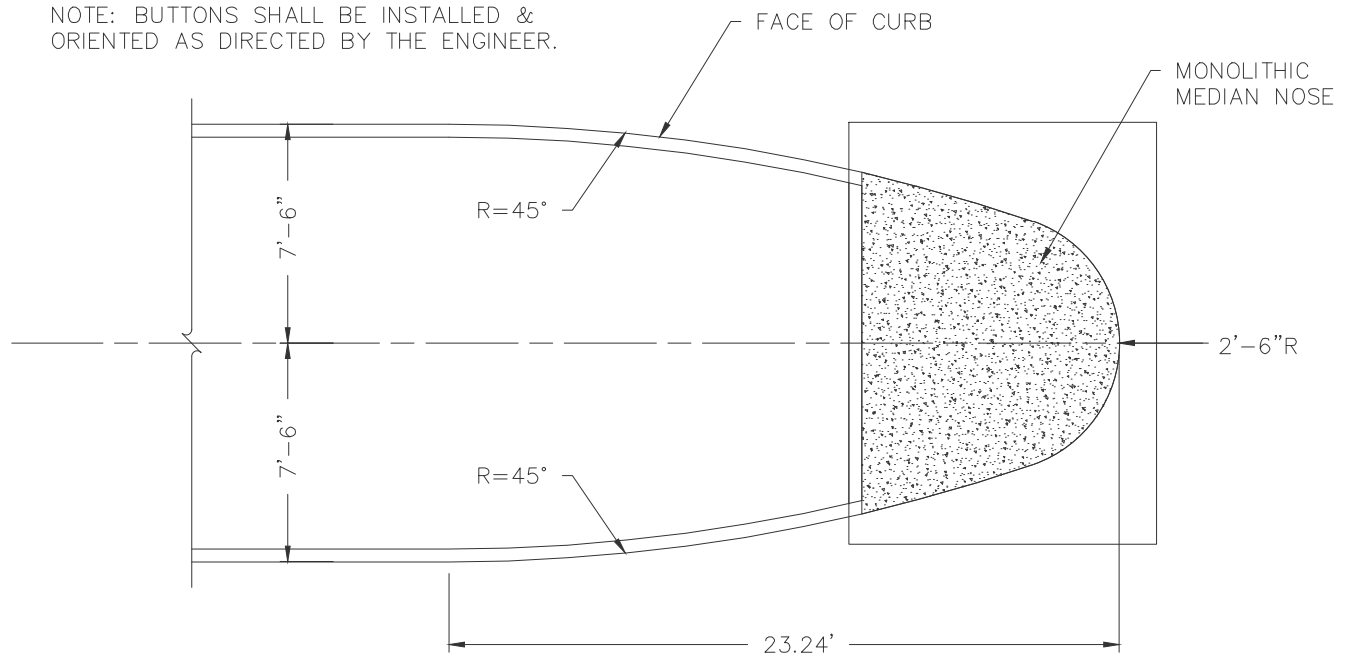


BARRIER BUTTONS
ON 30" CENTERS

NOTE: BUTTONS SHALL BE INSTALLED &
ORIENTED AS DIRECTED BY THE ENGINEER.



PAVING CONSTRUCTION DETAILS
TYPICAL LEFT TURN LANES

REVISION DATE:
2/1/2024

SHEET: P-21