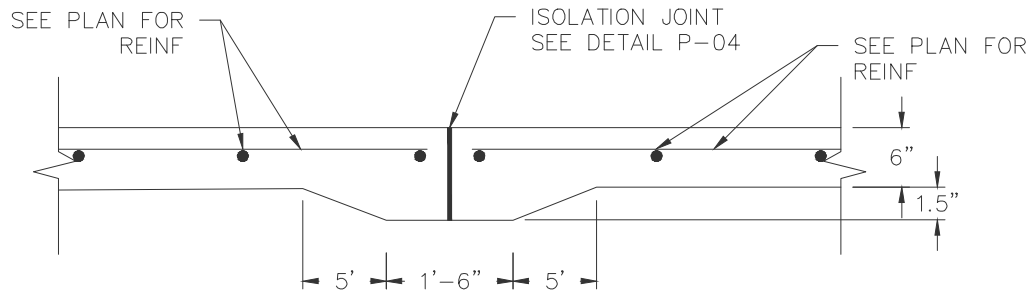


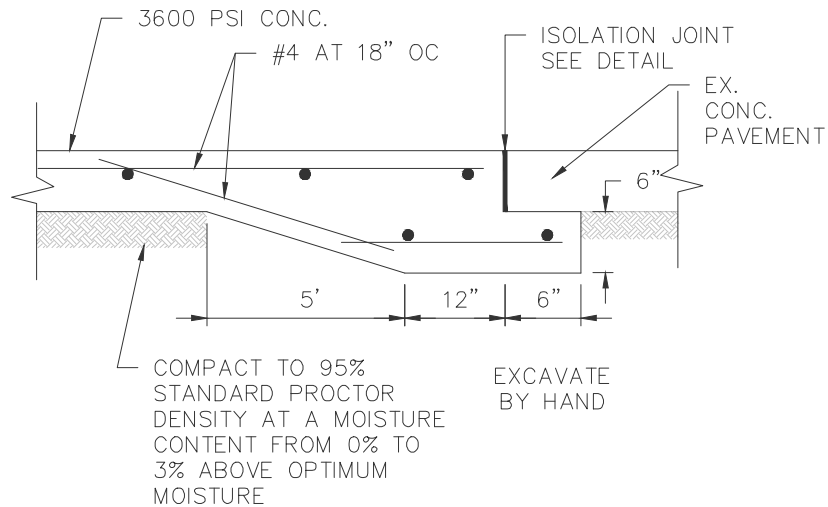
CONTROL, CONSTRUCTION AND LONGITUDINAL JOINT SEALING DETAIL
N.T.S.

TYPICAL ISOLATION JOINT DETAIL
N.T.S.



NOTE: THIS MUST BE A COLD JOINT CONSTRUCTION JOINT

TYPICAL EXPANSION JOINT (EJ) SECTION
N.T.S.



TYPICAL CONCRETE TO CONCRETE CONNECTION DETAIL
N.T.S.



PAVING CONSTRUCTION DETAILS
JOINT DETAILS

REVISION DATE:
2/1/2024

SHEET: P-23