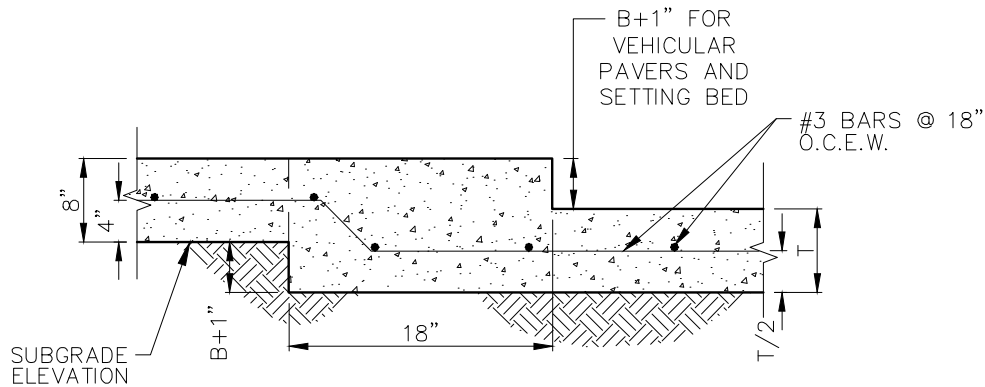


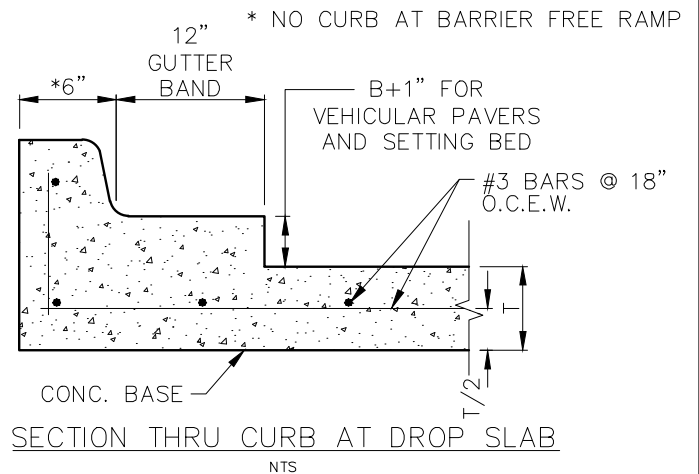
BRICK PAVER INSTALLATION IN VEHICULAR AREAS

NTS



LONGITUDINAL SECTION AT DROP SLAB

NTS



SECTION THRU CURB AT DROP SLAB

NTS

NOTES

1. VEHICULAR PAVERS SHALL BE HEAVY PAVING BRICK MEETING ASTM C1272, TYPE R, APPLICATION AND BE APPROVED BY PUBLIC WORKS & ENGINEERING SERVICES.
2. PROVIDE BRICK WITHOUT FROGS OR CORES IN SURFACES EXPOSED TO VIEW IN COMPLETED WORK.

T = PAVEMENT THICKNESS  
B = BRICK PAVER THICKNESS

