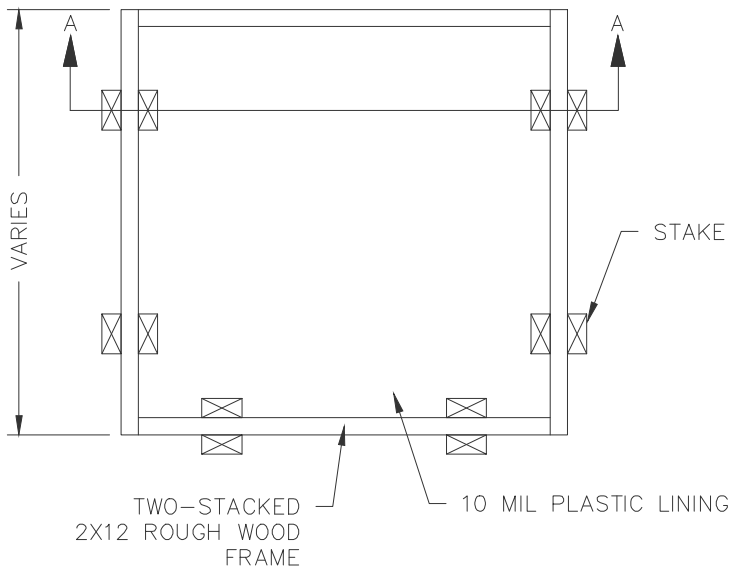
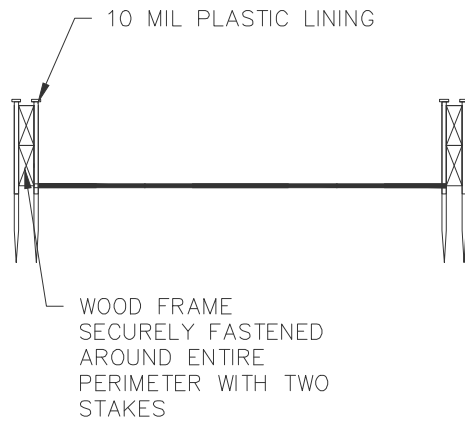


CONCRETE WASHOUT NOTES:

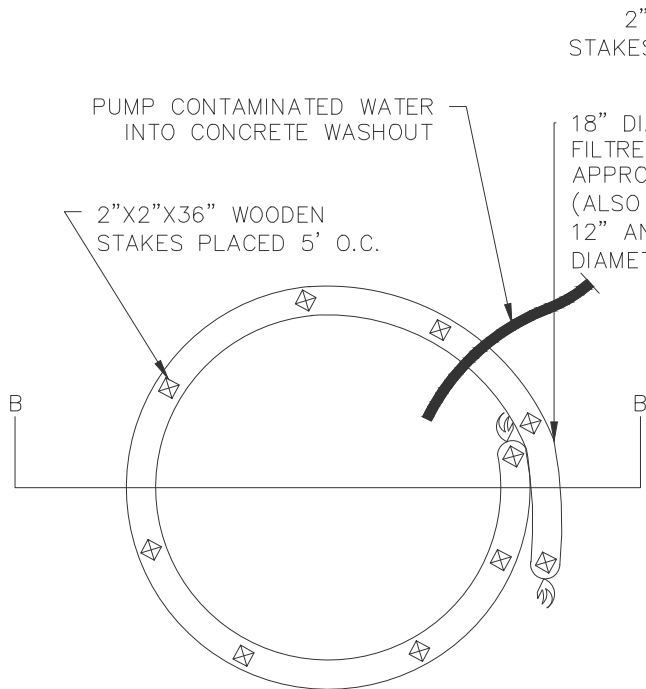
1. LOCATE WASHOUT AREA AT LEAST 50 FEET FROM SENSITIVE FEATURES, STORM DRAINS, OPEN DITCHES, OR WATER BODIES. DO NOT ALLOW RUNOFF FROM THIS AREA BY CONSTRUCTING A TEMPORARY PIT OR BERMED AREA LARGE ENOUGH FOR LIQUID AND SOLID WASTE.
2. WASH OUT WASTE INTO TEMPORARY PIT WHERE THE CONCRETE CAN BE SET, BE BROKEN, AND THEN DISPOSED OF PROPERLY.



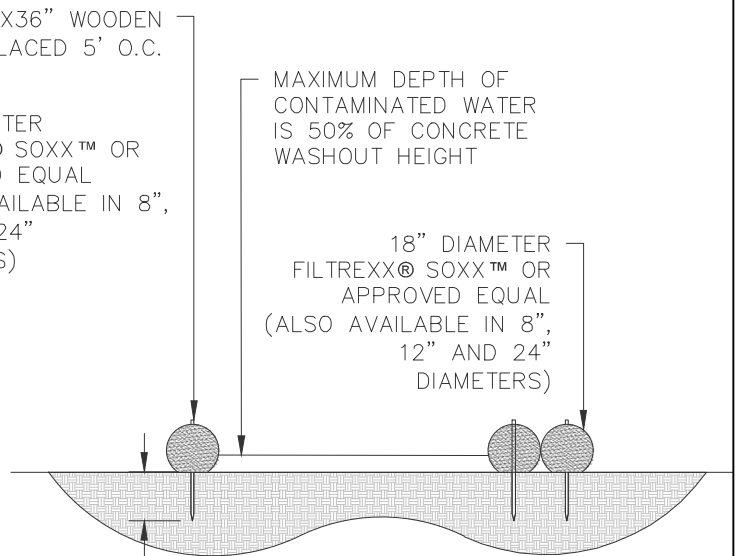
PLAN
N.T.S.



SECTION A-A
N.T.S.



PLAN
N.T.S.



SECTION B-B
N.T.S.

NOTES:

1. INSTALL ON FLAT GRADE FOR OPTIMUM PERFORMANCE.
2. CONCRETE WASHOUT MAY BE STACKED IN A PYRAMIDAL CONFIGURATION FOR ADDED HEIGHT AND STABILITY.
3. CONCRETE WASHOUT MAY BE DIRECT SEEDED AT THE TIME OF INSTALLATION.



EROSION CONTROL DETAILS
CONCRETE WASHOUT AREA

REVISION DATE:
2/1/2024

SHEET: E-07