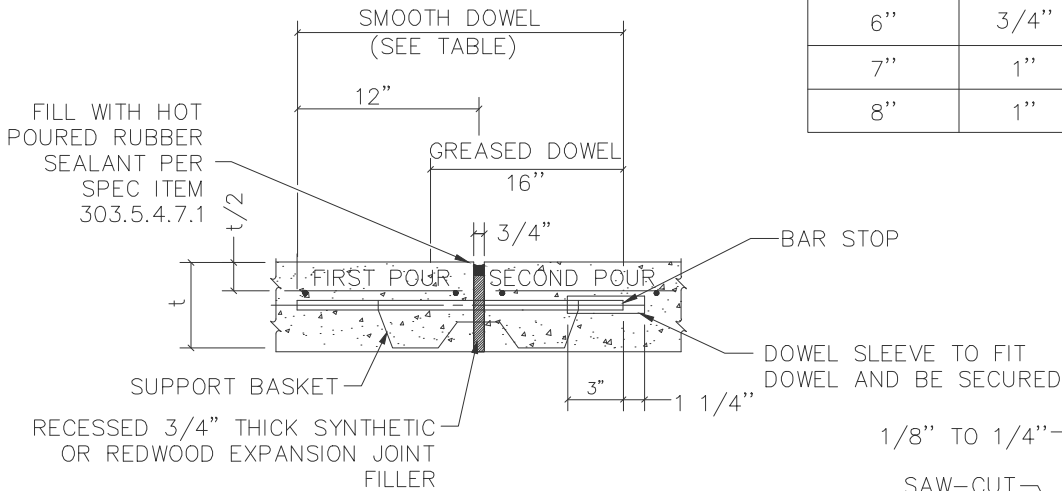


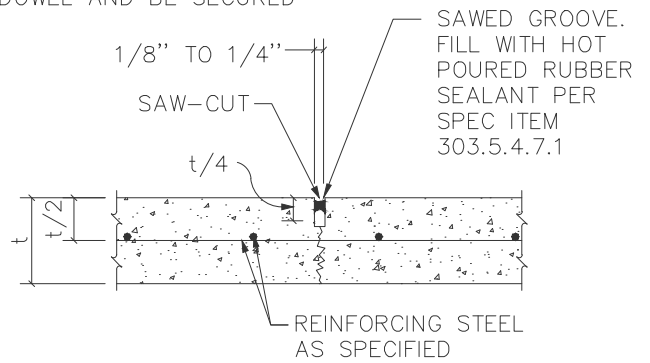
PAVEMENT THICKNESS	DOWEL DIA.	DOWEL LENGTH	DOWEL SPACING
6"	3/4"	24"	12"
7"	1"	24"	12"
8"	1"	24"	12"



NOTE:  
1. ALL DOWEL BARS SHALL BE INSTALLED PERPENDICULAR TO JOINT @ 12" SPACING.

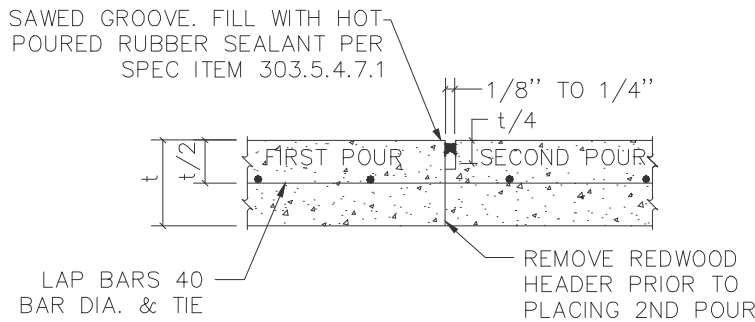
**ISOLATION/EXPANSION JOINT**

SCALE: N.T.S.



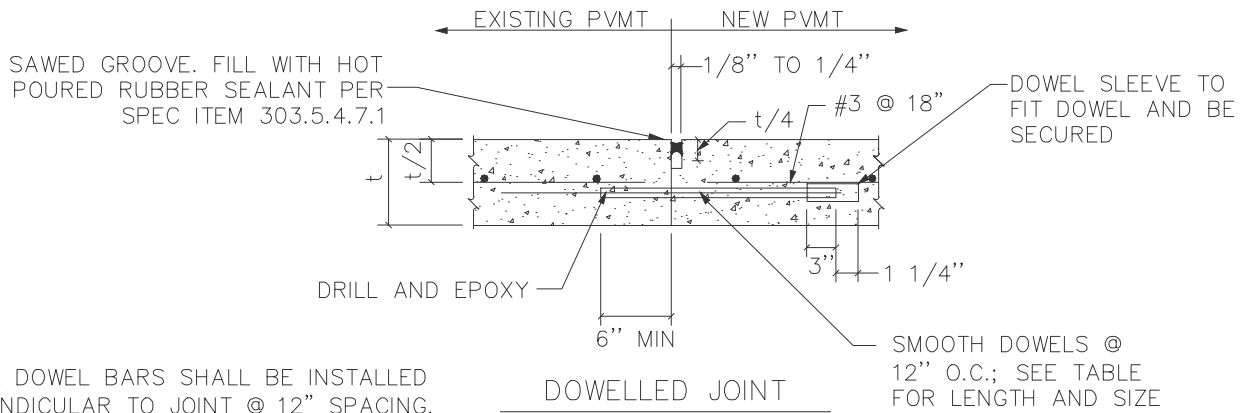
**SAWCUT CONTRACTION JOINT**

SCALE: N.T.S.



**CONSTRUCTION JOINT**

SCALE: N.T.S.



NOTE:  
1. ALL DOWEL BARS SHALL BE INSTALLED PERPENDICULAR TO JOINT @ 12" SPACING.

**DOWELLED JOINT**

SCALE: N.T.S.



**PAVING CONSTRUCTION DETAILS  
CONCRETE PAVEMENT JOINTS**

REVISION DATE:  
10/24/2024

SHEET: P-04